

UNDERCOUNTER REFRIGERATOR



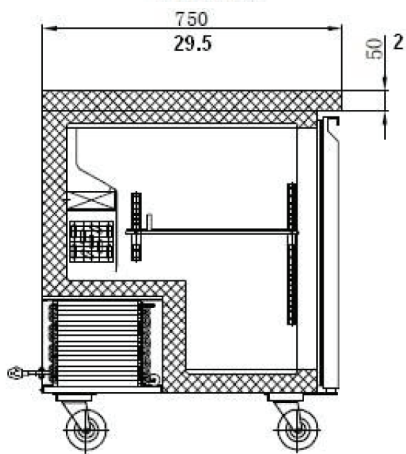
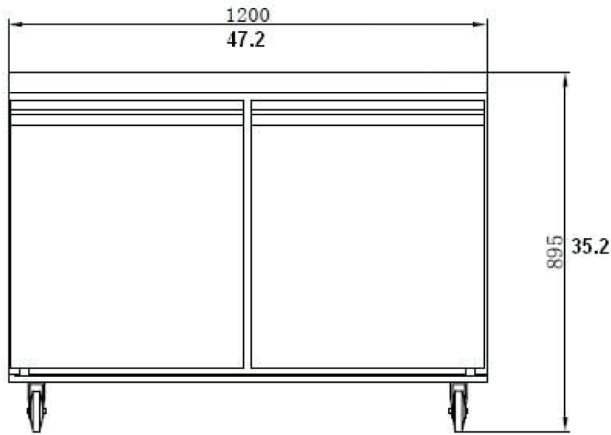
NUR-048-SS

Features

- 338L capacity / 12 cu. ft.
- Temperature range (C): 0.5 to 4
- Rounded corner design inside the cabinet makes it easy to clean the inside storage area
- Electronic control system: adjustable temperature set point and defrost frequency
- Condensing unit in the back of the cabinet with easy slide-out access for maintenance
- Adjustable, heavy duty PVC coated shelves
- Stainless steel interior (304 grade) and exterior (430 grade)
- Standard heavy duty casters
- Standard door features: positive seal self-closing door with 90° stay open feature

NEW AIR

UNDERCOUNTER REFRIGERATOR



MODEL	NUR-048-SS
Capacity (Cubic feet)	12
Capacity (Litres)	338
Auto Defrost	Yes
Unit Dimensions (exterior)	48" (w) x 29.5" (d) x 35.2" (h)
cm	120 (w) x 75 (d) x 89.5 (h)
Unit Dimensions (interior)	42" (w) x 20" (d) x 24" (h)
cm	107 (w) x 51 (d) x 61 (h)
Shipping Dimensions (with box)	50" (w) x 32.3" (d) x 38" (h)
cm	127 (w) x 82 (d) x 97 (h)
Height with casters	35"
Height without casters	30"
Net Weight	214 lb (97 kg)
Adjustable Shelves	2
Shelf dimensions	21" x 17"
cm	53 x 43.4
Swivel Casters	Yes (2 with brake)
Size of Casters	4" (10 cm)
Voltage	115V/60/1
Input power (W)	278
Amperes	8.0
Temperature	0.5°C to 4°C
Refrigerant (CFC-free)	R404a
Compressor	1/2 HP



WARRANTY: 1 year parts and labour, 4 additional years on the compressor.

Design and specifications can change without prior notice for product improvement.

Distributed by:

Customer Service: 1-800-567-3620

DISTEX 

www.distex.ca

Your Premium Partner

NEW AIR 