

UNDERCOUNTER REFRIGERATOR



NUR-027-SS

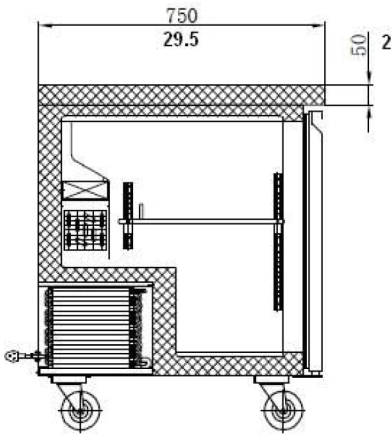
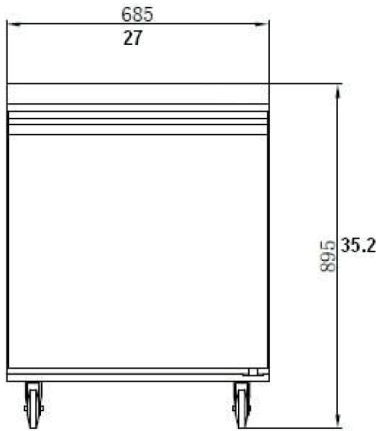
Features

- 177 L capacity / 6.3 cu. ft.
- Temperature range (C): 0.5 to 4
- Rounded corner design inside the cabinet makes it easy to clean the inside storage area
- Electronic control system: adjustable temperature set point and defrost frequency
- Condensing unit in the back of the cabinet with easy slide-out access for maintenance
- Adjustable, heavy duty PVC coated shelves
- Stainless steel interior (304 grade) and exterior (430 grade)
- Standard heavy duty casters
- Standard door features: positive seal self-closing door with 90° stay open feature

NEW AIR

UNDERCOUNTER REFRIGERATOR

PRELIMINARY



| MODEL | NUF-027-SS |
|--------------------------------|-----------------------------------|
| Capacity (Cubic feet) | 6.3 |
| Capacity (Litres) | 177 |
| Auto Defrost | Yes |
| Unit Dimensions (exterior) | 27" (w) x 29.5" (d) x 35.2" (h) |
| cm | 68.5 (w) x 75 (d) x 107.5 (h) |
| Unit Dimensions (interior) | 22.5" (w) x 22.6" (d) x 23.6" (h) |
| cm | 57 (w) x 58 (d) x 60 (h) |
| Shipping Dimensions (with box) | 29" (w) x 32" (d) x 36" (h) |
| cm | 74 (w) x 81 (d) x 92 (h) |
| Height with casters | 35" |
| Height without casters | 30" |
| Net Weight | 159 lb (72 kg) |
| Adjustable Shelves | 1 |
| Shelf dimensions | 17" x 20.5" |
| Swivel Casters | Yes (2 with brake) |
| Size of Casters | 4" (10 cm) |
| Voltage | 115V/60/1 |
| Amperes | 6.3 |
| Temperature | 0.5°C to 4°C |
| Refrigerant (CFC-free) | R134a |
| Compressor | 1/2 HP |



WARRANTY: 1 year parts and labour, 4 additional years on the compressor.

Design and specifications can change without prior notice for product improvement.

Distributed by:



DISTEX

Customer Service: 1-800-567-3620

www.distex.ca

Your Premium Partner

