

UNDERCOUNTER FREEZER



NUF-048-SS

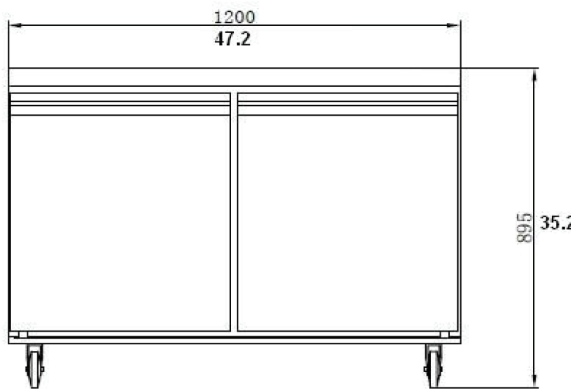
Features

- 338L capacity / 12 cu. ft.
- Temperature range (C): -22 to -18
- Rounded corner design inside the cabinet makes it easy to clean the inside storage area
- Electronic control system: adjustable temperature set point and defrost frequency
- Condensing unit in the back of the cabinet with easy slide-out access for maintenance
- Adjustable, heavy duty PVC coated shelves
- Stainless steel interior (304 grade) and exterior (430 grade)
- Standard heavy duty casters
- Standard door features: positive seal self-closing door with 90° stay open feature

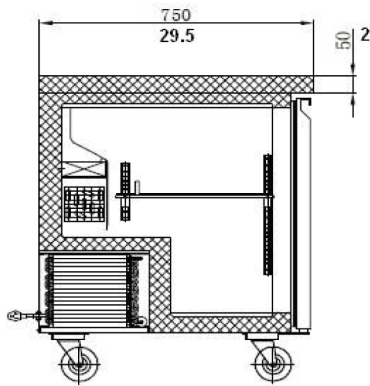
NEW AIR

UNDERCOUNTER FREEZER

PRELIMINARY



ELEVATION



SECTION VIEW

MODEL	NUF-048-SS
Capacity (cu.ft.)	12
Capacity (Litres)	338
Automatic defrost	Yes
Exterior dimensions	47.2" (w) x 29.5" (d) x 35.2" (h)
cm	120 (w) x 75 (d) x 107.5 (h)
Interior dimensions	42" (w) x 20" (d) x 24" (h)
cm	107 (w) x 51 (d) x 61 (h)
Shipping dimensions (with box)	50" (w) x 32.3" (d) x 38" (h)
cm	127 (w) x 82 (d) x 97 (h)
Height (with casters)	35"
Height (without casters)	31"
Net weight	214 lb (97 kg)
Adjustable shelves	2
Shelf dimensions	21" x 17"
cm	53 x 43.4
Swivel casters	Yes (2 with brake)
Caster diameter	4" (10 cm)
Voltage	115V/60/1
Amperage	7.2
Temperature	-22°C to -18°C
Refrigerant (CFC-free)	R404a
Compressor	1/2 HP



WARRANTY: 1 year parts and labour, 4 additional years on the compressor.
Specifications are subject to change without prior notice.

Customer Service: 1-800-567-3620

Distributed by:

DISTEX INC. 2011

www.distex.ca

Your Premium Partner

