

UNDERCOUNTER FREEZER



NUF-027-SS

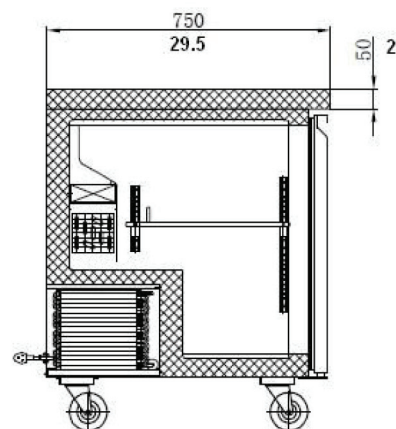
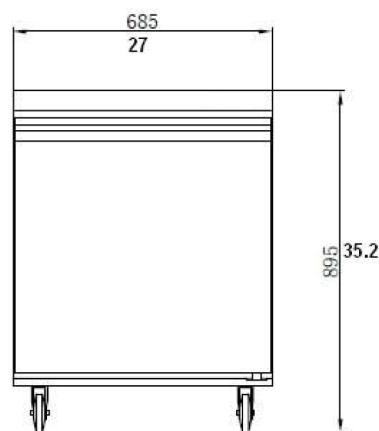
Features

- 177L capacity / 6.3 cu. ft.
- Temperature range (C): -22 to -18
- Rounded corner design inside the cabinet makes it easy to clean the inside storage area
- Electronic control system: adjustable temperature set point and defrost frequency
- Condensing unit in the back of the cabinet with easy slide-out access for maintenance
- Adjustable, heavy duty PVC coated shelves
- Stainless steel interior (304 grade) and exterior (430 grade)
- Standard heavy duty casters
- Standard door features: positive seal self-closing door with 90° stay open feature

UNDERCOUNTER FREEZER

PRELIMINARY

MODEL	NUF-027-SS
Capacity (Cubic feet)	6.3
Capacity (Litres)	177
Auto Defrost	Yes
Unit Dimensions (exterior)	27" (w) x 29.5" (d) x 35.2" (h)
cm	68.5 (w) x 75 (d) x 107.5 (h)
Unit Dimensions (interior)	22.5" (w) x 22.6" (d) x 23.6" (h)
cm	57 (w) x 58 (d) x 60 (h)
Shipping Dimensions (with box)	29" (w) x 32" (d) x 36" (h)
cm	74 (w) x 81 (d) x 92 (h)
Height with casters	35"
Height without casters	30"
Net Weight	155 lb (70 kg)
Adjustable Shelves	1
Shelf dimensions	17" x 20.5"
Swivel Casters	Yes (2 with brake)
Size of Casters	4" (10 cm)
Voltage	115V/60/1
Temperature	0.5°C to 4°C
Refrigerant (CFC-free)	R134a
Compressor	1/2 HP



WARRANTY: 1 year parts and labour, 4 additional years on the compressor.

Design and specifications can change without prior notice for product improvement.

Customer Service: 1-800-567-3620



NEW AIR