

# PIZZA PREP TABLE



Actual product may differ slightly from image

## NPT-092-PI

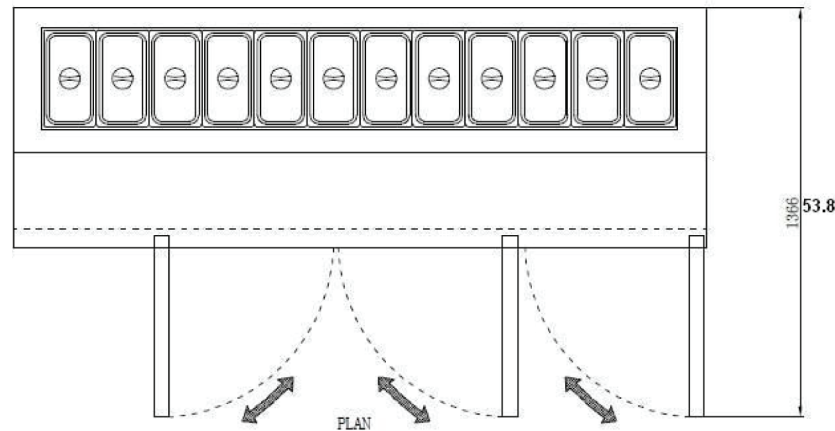
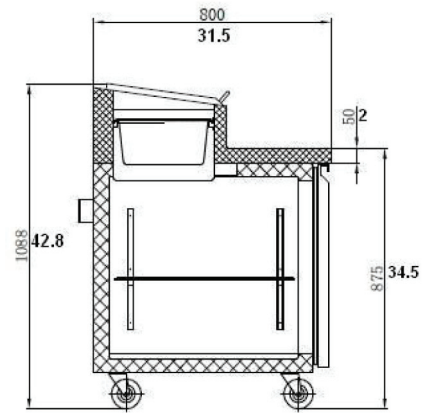
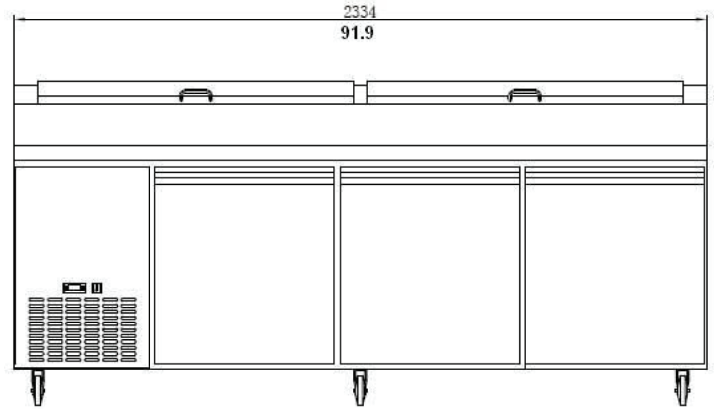
- Holds temperatures from 0.5°C to 4°C (33°F to 41°F)
- Insulated lid helps to maintain food freshness
- Stainless steel interior (304 grade) and exterior (430 grade)
- Rounded corner design on the inside for easy cleaning
- Bottom mounted compressor
- Adjustable electronic temperature control
- Easy to clean and maintain
- Heavy duty PVC coated adjustable shelves

**NEW AIR**

# PIZZA PREP TABLE

## PRELIMINARY

MODEL	NPT-092-PI
Capacity (Cubic feet)	24.2
Capacity (Litres)	684
Auto Defrost	Yes
Unit Dimensions (exterior)	92" (w) x 31.5" (d) x 43" (h)
cm	234 (w) x 800 (d) x 109 (h)
Unit Dimensions (interior)	69.5" (w) x 23" (d) x 26.2" (h)
cm	176.5 (w) x 58 (d) x 66.5 (h)
Shipping Dimensions (with box)	96.5" (w) x 36" (d) x 46" (h)
cm	245 (w) x 91 (d) x 116 (h)
Height with casters	42"
Height without casters	36.5"
Net Weight	441 lb (200 kg)
Adjustable Shelves	3
Shelf dimensions	23" x 24"
Swivel Casters	Yes (2 with brake)
Size of Casters	4" (10 cm)
Voltage	115V/60/1
Amperes	9.8
Temperature	0.5°C to 4°C
Refrigerant (CFC-free)	R134a
Compressor	1/2 HP



WARRANTY: 1 year parts and labour, 4 additional years on the compressor.

Design and specifications can change without prior notice for product improvement.

Customer Service: 1-800-567-3620

