

SALAD/SANDWICH PREP TABLE



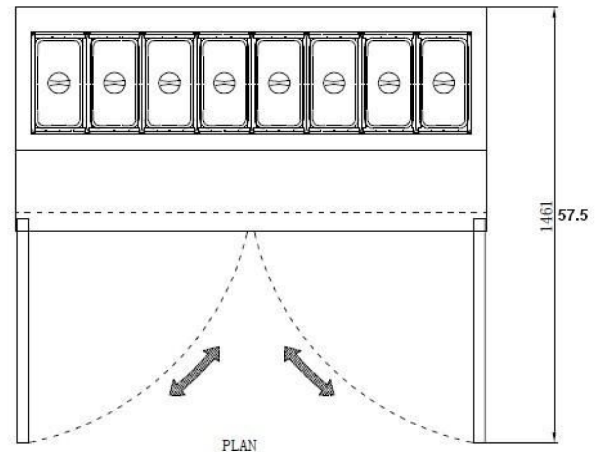
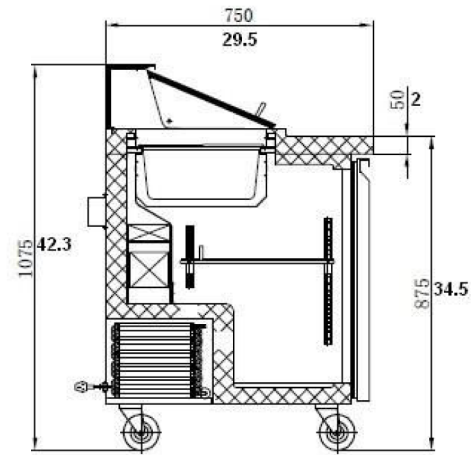
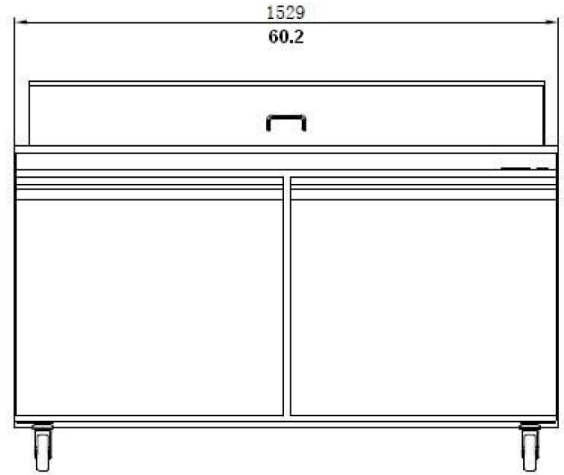
NPT-060-SA

- Holds temperatures from 0.5°C to 4°C (33°F to 41°F)
- Insulated lid helps to maintain food freshness
- Stainless steel interior (304 grade) and exterior (430 grade)
- Rounded corner design on the inside for easy cleaning
- Bottom mounted compressor
- Adjustable electronic temperature control
- Easy to clean and maintain
- Heavy duty PVC coated adjustable shelves

NEW AIR

SALAD/SANDWICH PREP TABLE

MODEL	NPT-060-SA
Capacity (Cubic feet)	15
Capacity (Litres)	428
Unit Dimensions (exterior)	60.2" (w) x 29.5" (d) x 42.3" (h)
cm	153 (w) x 75 (d) x 107.5 (h)
Unit Dimensions (interior)	56" (w) x 24" (d) x 23.6" (h)
cm	142 (w) x 61 (d) x 60 (h)
Shipping Dimensions (with box)	65.35" (w) x 34.6" (d) x 45.7" (h)
cm	166 (w) x 88 (d) x 116 (h)
Height with casters	43"
Height without casters	38"
Net Weight	145 lb (kg)
Gross Weight	189 lb (kg)
Adjustable Shelves	2
Shelf dimensions	27.6" x 17.1"
cm	70 x 43.4
Swivel Casters	Yes (2 with brake)
Size of Casters	5" (12.7 cm)
Voltage	115V/60/1
Input power (W)	640
Amperes	7.8
Temperature	0.5°C to 4°C
Refrigerant (CFC-free)	R134a
Compressor	1/3 HP



WARRANTY: 1 year parts and labour, 4 additional years on the compressor.

Design and specifications can change without prior notice for product improvement.

Customer Service: 1-800-567-3620

