

SALAD/SANDWICH PREP TABLE



NPT-048-SA

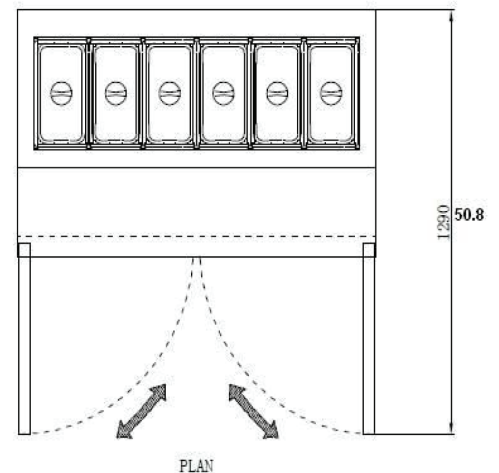
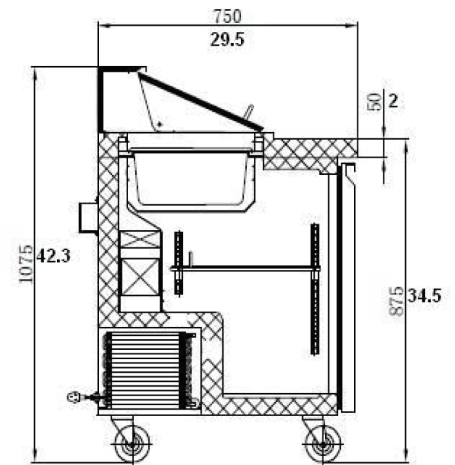
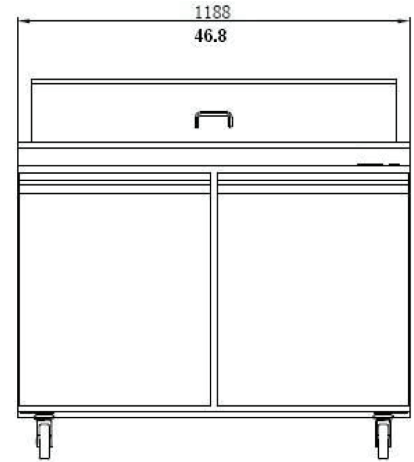
- Holds temperatures from 0.5°C to 4°C (33°F to 41°F)
- Insulated lid helps to maintain food freshness
- Stainless steel interior (304 grade) and exterior (430 grade)
- Rounded corner design on the inside for easy cleaning
- Bottom mounted compressor
- Adjustable electronic temperature control
- Easy to clean and maintain
- Heavy duty PVC coated adjustable shelves

NEW AIR

SALAD/SANDWICH PREP TABLE

PRELIMINARY

MODEL	NPT-048-SA
Capacity (Cubic feet)	9.5
Capacity (Litres)	268
Auto Defrost	Yes
Unit Dimensions (exterior)	46.8" (w) x 29.5" (d) x 42.3" (h)
cm	119 (w) x 75 (d) x 107.5 (h)
Unit Dimensions (interior)	43" (w) x 24" (d) x 23.6" (h)
cm	109 (w) x 61 (d) x 60 (h)
Shipping Dimensions (with box)	51" (w) x 34" (d) x 46" (h)
cm	130 (w) x 86 (d) x 116 (h)
Net Weight	254 lb (115 kg)
Adjustable Shelves	2
Swivel Casters	Yes (2 with brake)
Size of Casters	4" (10cm)
Voltage	115V/60/1
Amperes	7.8
Temperature	0.5°C to 4°C
Refrigerant (CFC-free)	R134a
Compressor	1/3 HP



WARRANTY: 1 year parts and labour, 4 additional years on the compressor.
Design and specifications can change without prior notice for product improvement.

Customer Service: 1-800-567-3620

